

TERRAWHEELS®



TerraWheels® All-Terrain Wheelchair for use on all terrains and surfaces

Enjoy the outdoors with family & friends!

TerraWheels® gives everyone the opportunity to enjoy all outdoor activities to their full ability!

ACCESSREC created TerraWheels® with the goal to provide the most versatile options for wheelchair users to experience the outdoors, beyond the beach!

GENERAL CHARACTERISTICS

DIMENSIONS / TECHNICAL INFORMATION

ALL-TERRAIN MODEL: ITEM # TW-4



Back stow-away Pocket:

Designed for added comfort and convenience, offering practical storage for user.

Parasol / Camera Holder compatibility:

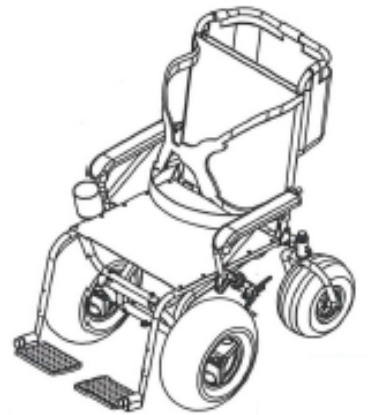
TERRAWHEELS features a dedicated space near the handle for attaching a parasol or a camera holder. Please note that the parasol or camera holder is not included with the wheelchair.

Brakes, Chest Harness & Seatbelt:

TERRAWHEELS comes equipped with breaks, a chest harness and a seatbelt to ensure the user's safety and prevent falls during movement.

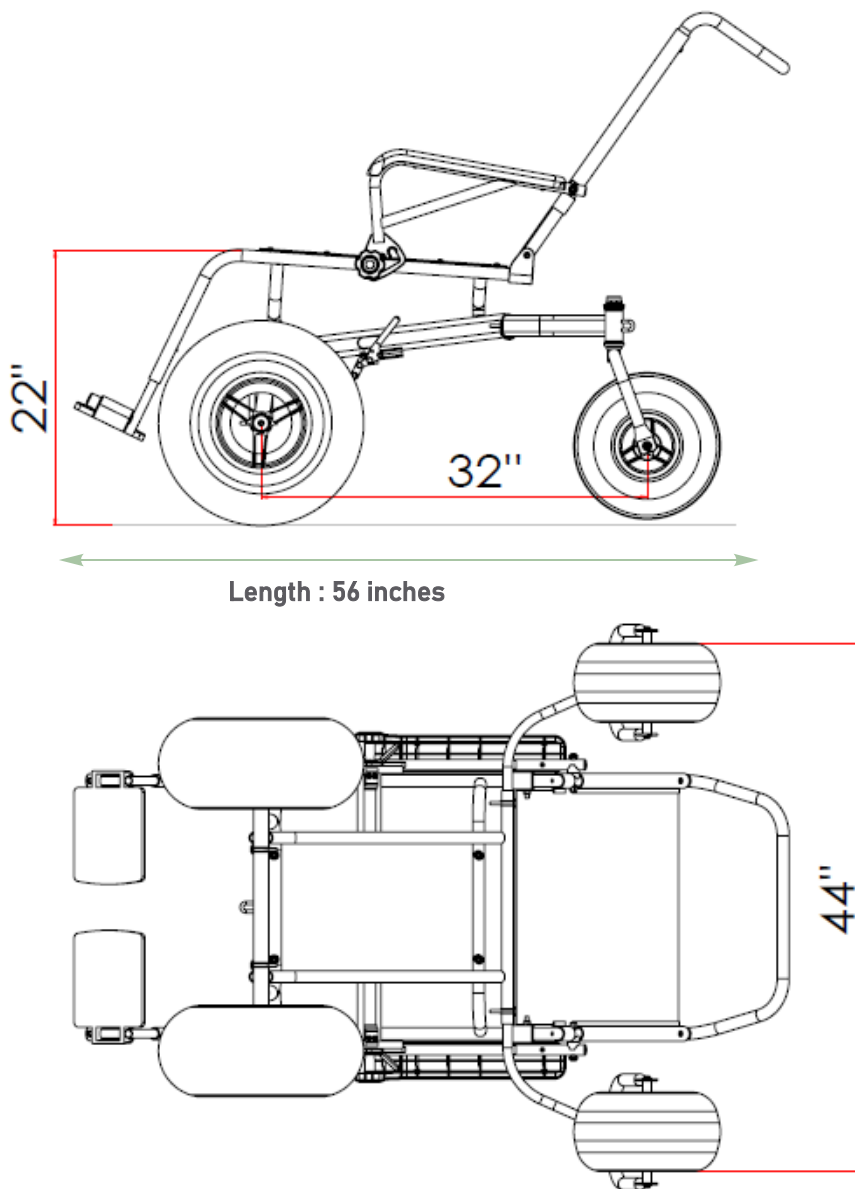
Adjustable Backrest & Footrests:

TERRAWHEELS features adjustable backrest and footrests to provide maximum comfort for users.



BEACH /SAND MODEL: TWB-4

ACCESSREC has introduced the TERRAWHEELS Item # TWB-4, specifically designed to facilitate pushing a loved one on sand. This model features a newly designed back wheels frame that is wider (44 inches compared to 31 inches) and longer (56 inches compared to 48 inches) than the previous TW-4 model. These design enhancements allow companions to push on sand with significantly less resistance.





ADVANTAGES (TW ALL-TERRAIN & TW BEACH):

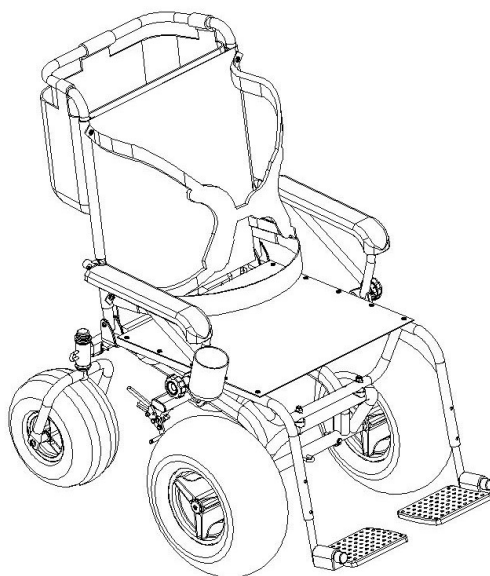
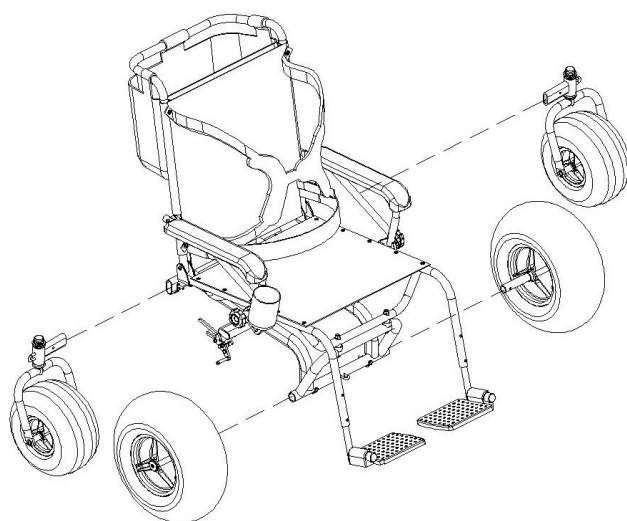
- Rubber wheels (easy to repair as opposed to gray PVC wheels)
- Front-wheel brake system
- Durable aluminum and stainless steel frames
- Aesthetically pleasing (colorful fabric and armrest) and wide back pocket
- Accommodates weight up to 300lbs
- Back seat reclines & folds.
- Comfortable frame with widest seating capacity
- Easy to push and maneuver through challenging terrain and space

TERRAWHEELS is simply the most versatile & sturdiest all-terrain wheelchair at the most affordable price!



TERRAWHEELS

Assembly instructions,
maintenance and warranty





Dear Customer,

Thank you for your TerraWheels® purchase. We hope you enjoy your all terrain wheelchair!

TerraWheels® is produced with the customers' needs in mind. Each product is manufactured with high quality materials that will provide customers with years of use. If any repairs are needed, please do not attempt without proper technical training. Contact your distributor for ALL repairs and adjustments that are needed.

This manual provides the following information:

Index:	Page:
1. Usage and Safety Information	3
2. Assembling/Disassembling your TerraWheels®	4
3. Inspections before use	5
4. General Inspections and Maintenance	6
5. Limited Warranty	7

All information provided in this manual is subject to change without notification. Please be sure to contact your distributor for the most recent version of the instruction manual.

Thank You.

Sebastien RAGON, Managing Partner



USAGE AND SAFETY INFORMATION



SAFETY WARNING:

1. Pay close attention while opening and unpacking your carton box of TerraWheels® as some parts may have shifted during transportation.
2. Make sure the main frame is locked in seating position during assembly.
3. Make sure to not sit or apply heavy weight on the armrests of TerraWheels®.
4. The foot rest is not designed to stand on as you would damage it and/or tilt your chair.
5. Users must be accompanied at all time by a responsible adult.

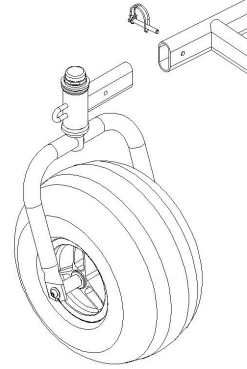
USING YOUR TerraWheels®:

- a. Proper usage of your TerraWheels® chair always requires that the user or the companion remains in control of the TerraWheels®. If the user is not physically able to maintain control of the TerraWheels®, it is imperative there is always a responsible adult present to avoid injury to the user or damage to your TerraWheels® chair.
- b. SEAT BELT USE: TerraWheels® is designed to provide comfort and stability during use. A transfer of weight or uneven surfaces may cause the TerraWheels® to flip over and result in injury. To improve your safety, it is recommended that the user is buckled up while in the chair.
- c. WEIGHT LIMIT: The maximum weight for users is 300lbs (136kg).
- d. TerraWheels® COMPONENTS: Do not use components of the wheelchair for any purpose other than what it is intended. Detachable parts should not be used for lifting the TerraWheels®. Individuals should not sit on the armrests. Misuse of TerraWheels® components may cause parts to become loose, resulting in injury. It is important that these components are properly used.

ASSEMBLING the TerraWheels®

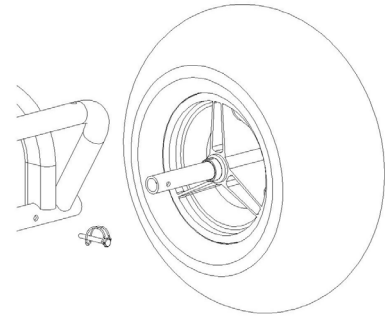
a. REAR TIRE INSTALLATION:

- Chair frame should lay flat on the ground to start installation.
- Align the two smaller tires with the back of the chair frame so the tires are properly inserted into the openings on the frame, then secure them with the quick release pin.



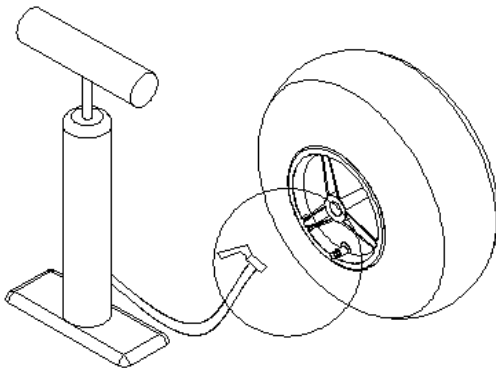
b. FRONT TIRE INSTALLATION:

- Chair frame should lay flat on the ground for installation.
- Arrange the large tire to be properly aligned with the front rod, then secure them with the quick release pin.



c. ARMREST INSTALLATION:

- Wheelchair frame should be opened for armrest setup.
- Simply tighten the large black knob into the extremity of the armrest to obtain the reclining position of the chair.
- Lock the armrest into place by tightening the knob into the side of the seating frame.



Please check tire pressure to be between 7 ~ 9psi.



INSTALLATION COMPLETE

***STORING TerraWheels®:** TerraWheels® can be conveniently stored without disassembling. To properly store, you can easily detach the armrests and fold the backseat of it. Once armrests are detached, your TerraWheels® can safely be folded and stored until your next use. Feel free to remove all tires if you have to save space while transporting it for example. We recommend you rinse down the TerraWheels® with fresh water between each use and before storing.

PRE-USE INSPECTIONS

**Pre-use inspections should occur EACH time the wheelchair is used. If a user fails to properly inspect the wheelchair, it may result in injury to the user or damage to the product.*

- a. **TIRE CONDITION:** Before use, always check tire pressure and the conditions of all tires. Changes in weather or temperature can cause tire pressure to exceed or fall below desired amounts. Adjust tires as needed for an appropriate pressure for user's weight.

Maximum tire pressure: 7 - 9 psi

- b. **ARMREST CONDITION:** Before use, always check armrests are fully locked.
- c. **FRAME CONDITION:** Check that the chair frame and all connecting rods are in great condition. Rods should not be bent or rusted to ensure the wheelchair operates properly.



GENERAL INSPECTION AND MAINTENANCE

****All repairs should be carried out by a distributor who has been properly trained.*** Do not attempt repairs on your own. Regular inspections can help avoid minor or major damage to your TerraWheels® and help increase the years of use of your wheelchair.

a. GENERAL INSPECTION:

- The chair frame should fold and unfold with ease. Check the frame for any worn or damaged parts.
- Check armrests for any damages.
- Check that the material of the seat is in good condition.
- Be sure the tires are in good condition and are at the recommended pressure amount.
- Be sure the chair frame and all connecting rods are in good condition. Frame and rods should not be rusted or bent.

b. MAINTENANCE:

- After each use, your TerraWheels® must be properly rinsed of any sand or dirt. Be sure to rinse connecting rods thoroughly to avoid potential rusting of components. Failure to clean the wheelchair after every use may result in damage to the chair frame and/or shorten the years of use.
- User may apply grease to connecting rods at their own discretion. Rods must remain in good condition to ensure that the wheelchair operates safely and properly.



LIMITED WARRANTY

Please fill out the form below to validate your TerraWheels® warranty.

PRODUCT	#:	Product Description:
Date of purchase:		
Address:		
E-mail:		
Signature:		

AccessRec, LLC offers a one (1) year limited warranty from the date of purchase covering defects in materials or workmanship to the wheelchair frame only, all exceptions to this warranty are listed below. The limited one (1) year warranty does not include the cover seat material, armrests, or tires. All limitations of the warranty will be assessed by AccessRec, LLC.

The one (1) limited warranty **does not cover** damage to the wheelchair frame due to:

- Normal wear and tear;
- Improper care, operation, maintenance or storage of the wheelchair;
- An accident or natural disaster;
- Modifications that have been made to the wheelchair without written consent of AccessRec, LLC; and/or
- Repairs that have been made without written consent of AccessRec, LLC



This warranty does not cover any labor or shipping charges that may be required if a wheelchair frame needs to be replaced or repaired. For any services that are needed under this warranty, please contact your distributor. If you are not satisfied with the conditions provided or repairs that have been made, please contact AccessRec, LLC directly. Products may not be returned without consent from AccessRec, LLC. The one (1) year limited warranty is applicable to the **original purchaser only.**