

WaterWheels™ is  
perfect for all users.

Enjoy the water

with family & friends!



Everyone can now enjoy the beach,  
ocean, lake, waterpark & poolside  
with the reliability & comfort of  
**WaterWheels™**

[www.floatingbeachwheelchairs.com.au](http://www.floatingbeachwheelchairs.com.au)

Australian Floating Beach Wheelchairs Pty Ltd

P: 0418 854 364 Canberra, ACT 2600

E: [admin@floatingbeachwheelchairs.com.au](mailto:admin@floatingbeachwheelchairs.com.au)

WaterWheels™ is designed to give users the

# Ideal outdoor experience



*Enjoy the comfort of WaterWheels™*

WaterWheels™ is designed with our customers in mind. The chair provides users with long lasting comfort so they can relax, recline and enjoy the outdoors!

With the floatable armrests and tyres, WaterWheels™ easily transports you from the beach to the water! Enjoy the ocean or pool while relaxing in your WaterWheels™



*Comfortably move from place to place!*

WaterWheels™ is a three-wheeled buggy that is designed such that the user remains in a reclined position in an ergonomic chair.

The WaterWheels™ seat has 3 positions, one to transition the user to the chair and two to recline the chair. These are adjusted by pulling a chain on the back for use and floating.

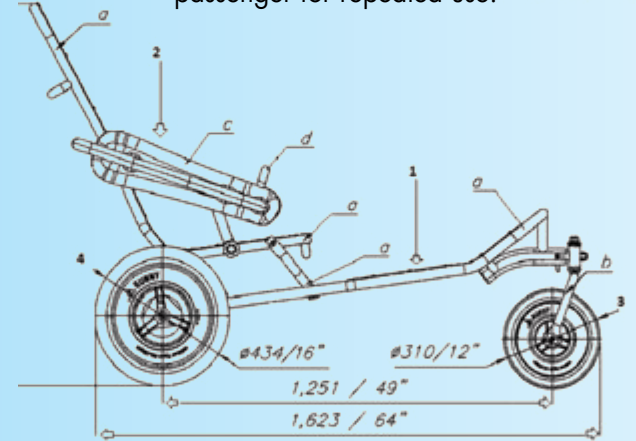
*Conveniently store & transport your WaterWheels!*

WaterWheels™ is composed of 6 different parts: the frame, 2 armrests and 3 big wheels, and is easily assembled and disassembled in a matter of minutes without any tools! The chair folds to allow you to conveniently transport in any vehicle or store until your next use!



## Characteristics

The WaterWheels™ front fork, manufactured of stainless steel with our frame made of aluminum, is designed to absorb the shocks of rough terrains while withstanding the weight of its passenger for repeated use.



*It is simply the highest quality floating beach chair for the most affordable price*

Our wide backrest, which is made from UV and water resistant fabric, is designed to provide superior comfort while sun bathing and floating.

The WaterWheels™ user must be buckled up in the chair and is then escorted to the water by a companion who must remain with them at all times. User should wear a life jacket when entering the water.

Weighing only 27kg, WaterWheels™ accommodates all users from children to elderly people with a maximum capacity of 115kg.